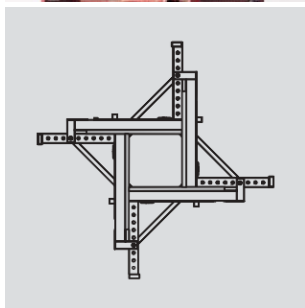


PANALEX Column formwork



PANALEX PAX Column formwork system

- practical folding mechanism
- fair-faced concrete quality
- adjustment range from 20 – 60 cm/ 40 – 100 cm without changing the formwork skin in a 5 cm grid
- for square or rectangular supports
- with integrated triangular batten
- only 1 crane pull required for moving
- stepless height adjustment due to system heights of 300 cm, 150 cm and top-up angle,
- easy transport/ simple logistics
- integrated crane eyelets
- no loose parts
- including concreting platform on request

Standard version lacquered, formwork skin with polypropylene coating

Code No.	Description	Height	Adjustment range	kg/ pcs.
PAX60L300	Column formwork	300 cm	20-60 cm	575
PAX60L150	Column formwork incl. stacking screw	150 cm	20-60 cm	305
PAX60L070	Column formwork incl. stacking screw	70 cm	20-60 cm	154

Standard version lacquered, formwork skin with phenol coating 220 g/ m²

Code No.	Description	Height	Adjustment range	kg/ pcs.
PAX60L300F	Column formwork	300 cm	20-60 cm	575
PAX60L150F	Column formwork incl. stacking screw	150 cm	20-60 cm	305
PAX60L070F	Column formwork incl. stacking screw	70 cm	20-60 cm	154